

Details for wet areas

Connections to bath tubs and floor areas

Description of material

- 1 AQUAPANEL® Cement Board Indoor
- 6 a Edge Insulation Strips
- 6 b Felt strips
- 9 Permanently flexible fungicidal joint mastic
- 9 a Sealing tape
- 15 Sealing e.g. surface sealing tape laid in Knauf surface seal
- 16 Flexible adhesive
- 17 Tiles or stoneware
- 25 Sealing ring
- 26 Hollow wall installation kit
- 27 Mounting plate

When constructing wet and damp rooms, it is essential to pay attention to the watertightness of the construction.

Installation passages as well as all joints and corners must be closed with permanently flexible, fungicidal joint mastic.

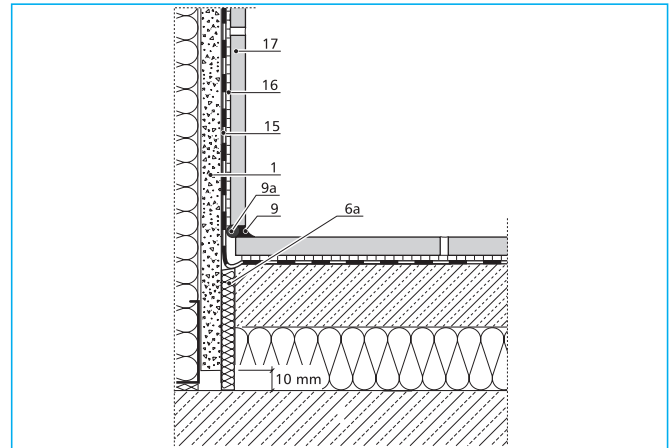
Passages for pipes or fittings must be made approx. 10 mm bigger than the relevant built-in installation. The gap between the sanitary items and the tiles (approx. 5 mm) must be closed with permanently flexible fungicidal joint mastic.

The procedure is done in two stages:

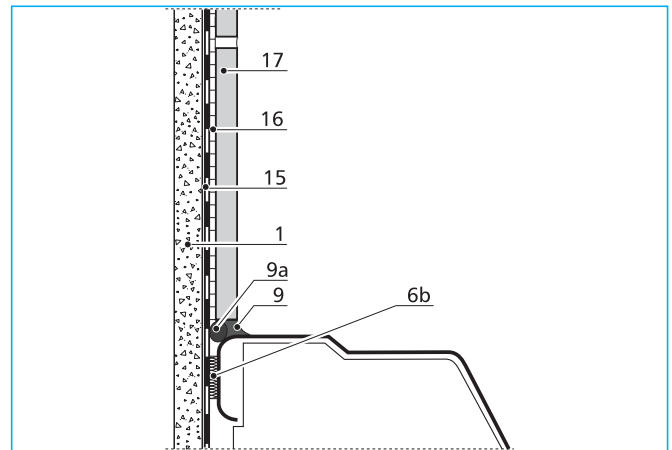
- After panelling and
- After tiling

Open board edges must be primed before injection to enhance adhesion of the joint mastic.

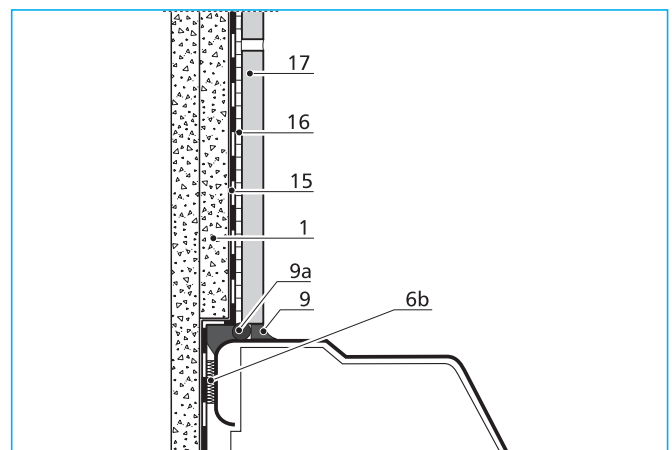
The transfer of impact sound via sanitary items on the partitions must be kept as low as possible. Therefore, an insulation strip e.g. felt must be placed between the sanitary items and the panels.



Wall-floor-connection



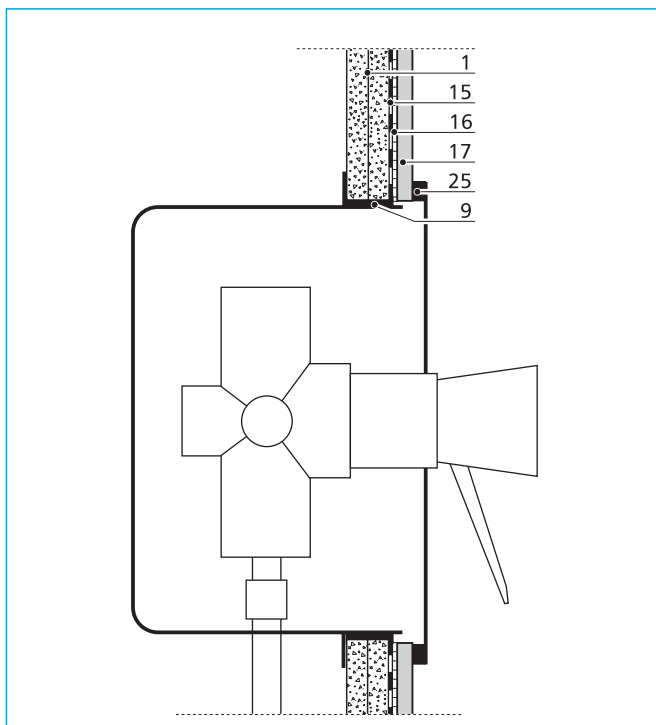
Bath connection, single layer of panelling



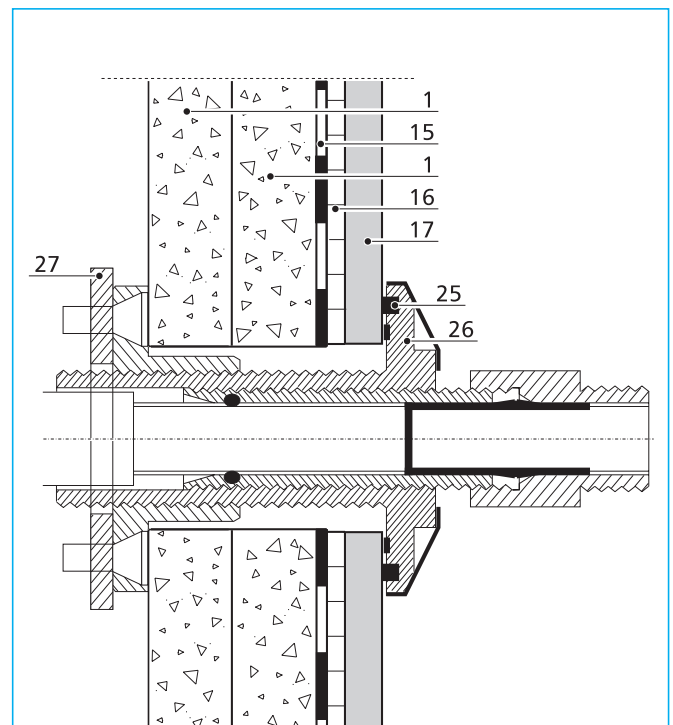
Bath connection, double layer of panelling

When should AQUAPANEL® Cement Board Indoor be used?

Area of application	Sealing measures
Shower areas, bathrooms, kitchens, toilets in private households as well as sanitary areas in hotel rooms	Sealing of areas where walls meet or walls and floors meet; sealing of any cut-outs for pipes etc., if applicable.
Damp rooms and wet rooms such as public showers, sanitary areas in public and commercial sectors, as well as commercial kitchens, dairies and breweries, having limited chemical contamination and under high load.	Sealing of areas where walls meet or walls and floors meet; sealing of any cut-outs for pipes etc., if applicable. In addition, sealing of the entire surface of the AQUAPANEL® Cement Board is necessary.



Flush-mounted fitting under plaster



Cut-out for pipe