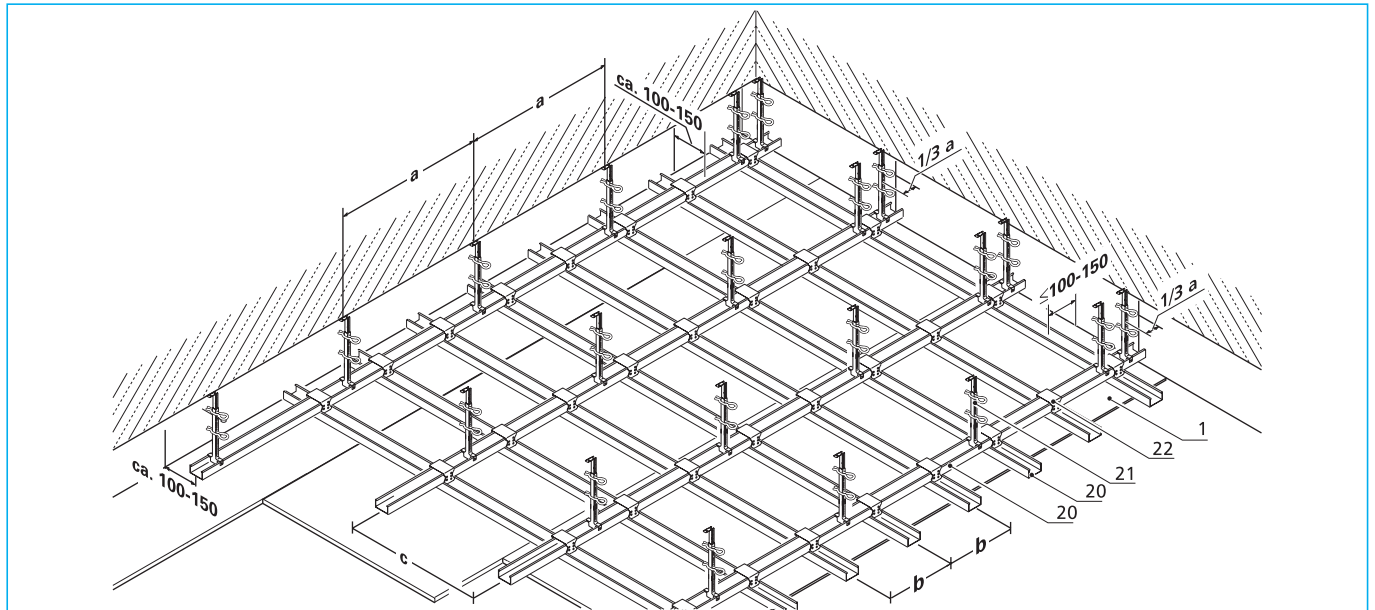


# Suspended ceiling with metal framing

## Fire resistance period during fire load from the room side: EI30



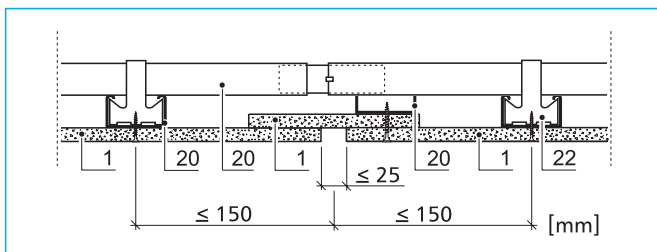
Suspended ceiling with metal framework, viewed from above

### Distance between base battens/supporting laths and suspension points

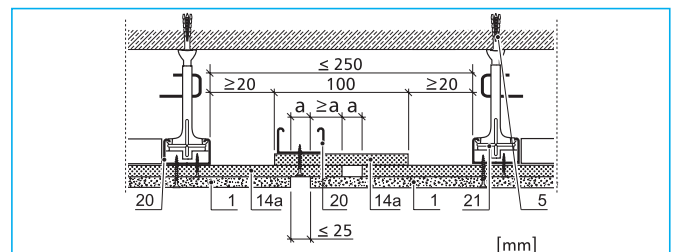
Layer options	Ceiling weight	Hangers	Distance (mm)		
			a	b	c
1) 1 x 12.5 mm	approx. 20 kg/m <sup>2</sup>	0.40 kN	750	300/312.5	1000
2) 1 x 12.5 mm AQUAPANEL® Cement Board Indoor + 1 x 12.5 mm GKF	approx. 35 kg/m <sup>2</sup>	0.40 kN	750	300/312.5	750
3) 2 x 12.5 mm AQUAPANEL® Cement Board Indoor	approx. 39 kg/m <sup>2</sup>	0.40 kN	525	300/312.5	750

### Fire grading period during fire load from the room side

Layer	Mineral wool (A1, Melting point >1000°C)		Fire resistance class	
	Thickness (mm)	Gross density (kg/m <sup>3</sup> )	Test certificate	Test certificate
1) 1 x 12.5 mm AQUAPANEL® Cement Board Indoor + 1 x 12.5 mm GKF	-	-	EI30	3461/7923-Mer
	-	-	EI30	3461/7923-Mer
	-	-	EI30	3461/7923-Mer
2) 2 x 12.5 mm AQUAPANEL® Cement Board Indoor	2 x 40	50	EI30	c. Pr-02-02.092



Expansion joint



Expansion joint fire protection requirements

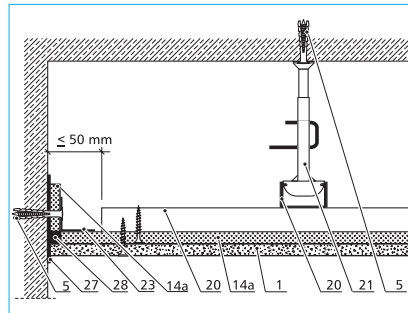
# Ideal for residential units, administration or commercial buildings

## Description of material

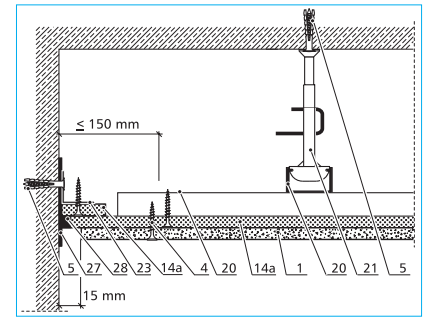
- 1 AQUAPANEL® Cement Board Indoor
- 4 AQUAPANEL® Maxi Screw
- 5 Construction authority-approved fixing methods
- 9 Permanently flexible sealant
- 14 a Knauf fire protection plate GKF, 12.5 mm
- 20 C-ceiling profile EN 13964
- 21 Nonius hanger with safety clips or direct ceiling hanger
- 22 Cross connector
- 23 Angle profile
- 24 U-Section profile e.g. UD-Profile 28/27
- 27 Dividing strips
- 28 Filling

## Abbreviations

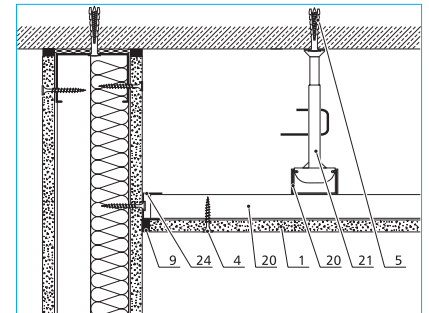
- a Distance (mm) of the Nonius or direct ceiling hanger
- b Distance (mm) of the bearing profile (C ceiling-profile 60/27/0.6)
- c Distance (mm) of the basic profile (C-ceiling profile 0/27/0.6)



**Connection to solid walls for suspended ceilings with fire protection requirements**



**Schattenfuge**



**Connection to light partition walls for suspended ceilings without fire protection requirements**

## Special notes

- The framework of suspended ceilings is constructed in accordance with EN 13964.
- Please follow the installation instructions on page 14.
- Built-in units such as lamps and ventilation extractors may load the framework in terms of its bearing capability.
- Large loads must be attached to separate suspensions.
- Suspended ceilings with fire protection requirements may not be stressed with extra loads.
- In rooms with continuous high levels of damp or chemical

contamination such as commercial kitchens, swimming pools, saunas or chemical laboratories, use profiles with increased corrosion protection.

- A load case of internal pressure is not taken into account in the above construction information.
- The ceiling void must remain free from condensation.

## Material requirements per square metre ceiling

AQUAPANEL® material requirements for suspended ceiling with metal framing with AQUAPANEL® Cement Board Indoor, without offcut and loss.

Material	Single layer	Double layer	
	1 x AQUAPANEL® Cement Board Indoor	1 x AQUAPANEL® Cement Board +	2 x AQUAPANEL® Cement Board
CD profile according to EN 13964	4.6 lfm	1 x GKF	2 m <sup>2</sup>
Cross connector according to EN 13964	4.1 pieces	1 m <sup>2</sup>	-
Nonius hanger with safety clip	1.8 pieces	25 pieces	50 pieces
Approved fixing method	1.8 pieces	19 pieces	-
AQUAPANEL® Cement Board Indoor	1 m <sup>2</sup>	0.7 kg	1.4 kg
12.5 mm GKF	-	2.1 lfm/m <sup>2</sup>	4.2 lfm/m <sup>2</sup>
AQUAPANEL® Maxi Screws	25 pieces	approx. 50 g	approx. 50 g
Quick-build screws	-	-	1 m <sup>2</sup>
AQUAPANEL® Joint Filler - Grey	0.7 kg	-	-
AQUAPANEL® Joint Adhesive (PU)	2.1 lfm/m <sup>2</sup>	-	-
AQUAPANEL® Interior Primer	approx. 50 g	-	-
Mineral wool (melting point > 1000° C)	-	-	-