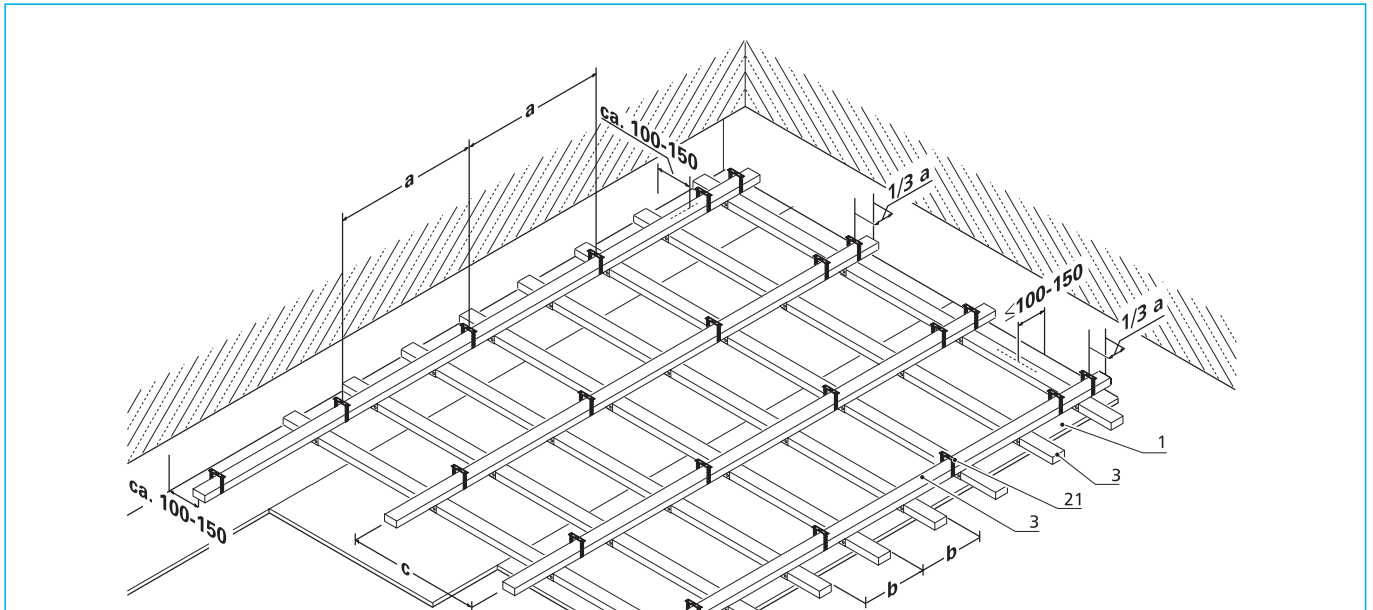


Suspended ceiling with timber framing



Suspended ceiling with wooden framework, viewed from above

Distance between base battens/supporting laths and suspension points

Layer with AQUAPANEL® Cement Board Indoor	Ceiling weight	Distance (mm)		
		a	b	c
1) 1 x 12.5 mm	approx. 20 kg/m ²	600	300/312.5	600
2) 1 x 12.5 mm + 1 x GKF 12.5	approx. 35 kg/m ²	600	300/312.5	600
Directly-secured with only one batten				
3) 1 x 12.5 mm	approx. 20 kg/m ²	-	300/312.5	600
4) 2 x 12.5 mm	approx. 35 kg/m ²	-	300/312.5	600

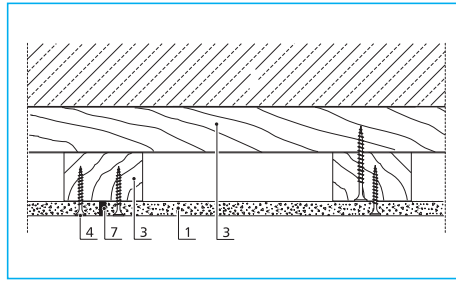
Especially suitable in residential buildings and in wooden constructions

Description of the material

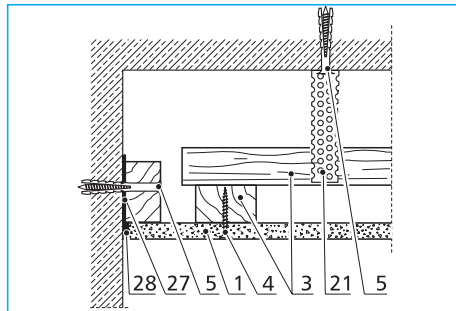
- 1 AQUAPANEL® Cement Board Indoor
- 2 Insulation material coat
- 3 Batten and lath framework 40/60
- 4 AQUAPANEL® Maxi Screw
- 5 Construction authority-approved fixing methods
- 7 AQUAPANEL® Joint Filler – Grey with AQUAPANEL® Interior Tape
- 14 a Knauf fire protection plate GKF, 12.5 mm
- 21 Direct hanger
- 27 Dividing strips
- 28 Filling
- 29 Expansion joint profile

Abbreviations

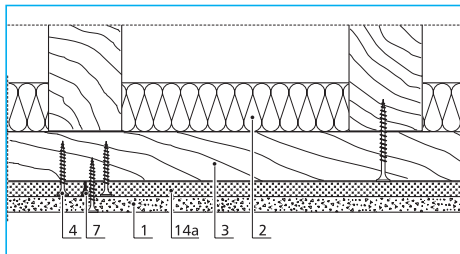
- a Distance (mm) of direct hanger
- b Distance (mm) of the batten framework 40/60
- c Distance (mm) of the lath framework 40/60



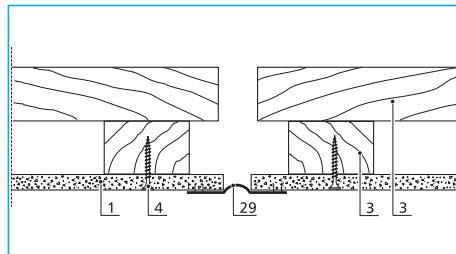
Direct fastening under solid ceilings, e.g. garages or cellar ceilings



Connection to solid walls



Direct fastening under wooden ceilings



Expansion joint for ceilings without fire protection requirements

Special Notes

- The framework of suspended ceilings is constructed in accordance with EN 13964.
- Please follow the installation instructions on page 14.
- Built-in units such as lamps and ventilation extractors, may load the framework in terms of its bearing capability.
- Large loads must be attached to separate suspensions.
- Suspended ceilings with fire protection requirements may not be stressed with extra loads.
- A load case of internal pressure is not taken into account in the above construction information.

The stated construction physical characteristics, static and construction properties can only be achieved when exclusive use is made of recommended products.

Material requirements per square metre ceiling

Material requirements for suspended ceiling with AQUAPANEL® Cement Board Indoor, without offcut and loss, construction with lath and batten framework

Material	Single layer	Double layer
Wood panel 40/60 according to EN 13964	5.3 lfm	5.3 lfm
Wood screws	6.3 pieces	6.3 pieces
Direct hanger	3.5 pieces	3.5 pieces
Approved fixing method	3.5 pieces	3.5 pieces
AQUAPANEL® Cement Board Indoor	1 m ²	1 m ²
GKF 12.5 mm	-	1 m ²
AQUAPANEL® Maxi Screws	25 pieces	25 pieces
Quick build screws	-	19 pieces
AQUAPANEL® Joint Filler - Grey	0.7 kg	0.7 kg
AQUAPANEL® Joint Adhesive (PU)	2.1 lfm/m ²	2.1 lfm/m ²
AQUAPANEL® Interior Primer	approx. 50 g	approx. 50 g