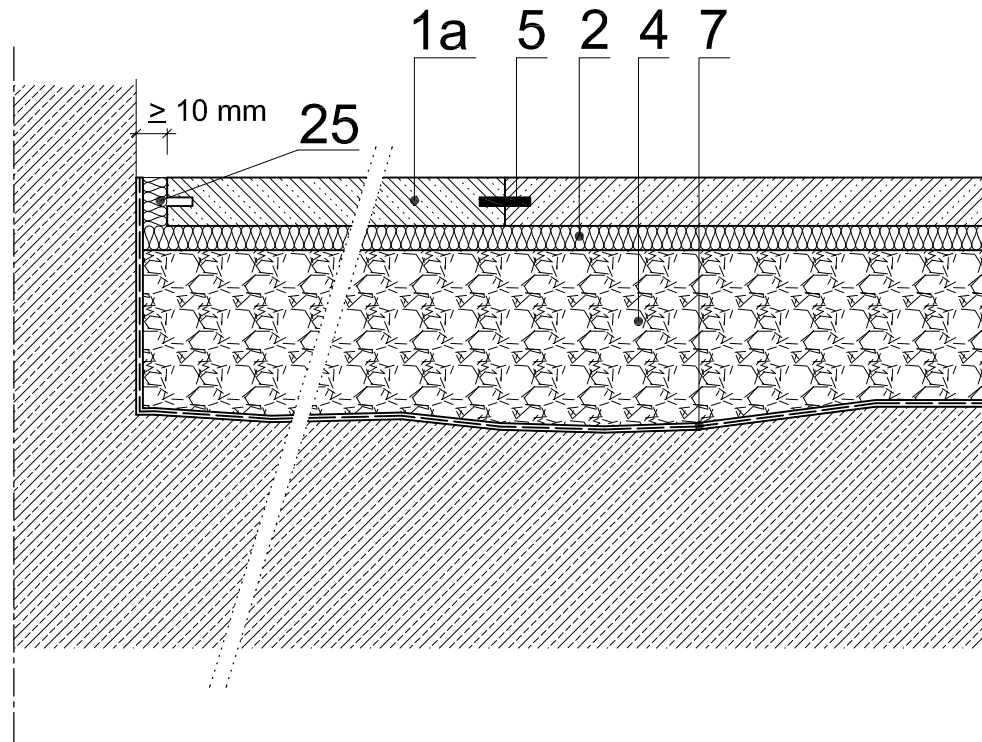


Key

- Description of the material
- 1 AQUAPANEL® Cement Board Indoor
 - 1a AQUAPANEL® Cement Board Floor
 - 1b AQUAPANEL® Cement Board Floor MF
 - 2 Impact sound insulation board
 - 3 Covering Board e.g. Wood Fibreboard, Gypsum board
 - 4 AQUAPANEL® Levelling Fill
 - 5 AQUAPANEL® Biscuits
 - 6 Barrier
 - 7 Moisture barrier, if required
 - 10 Load-bearing insert
 - 11 Floors made of boards or chipboard
 - 12 Nogging / wooden lath / underlay board >19 mm
 - 13 Stop board
 - 17 Heat-conducting layer or heat-conducting plate
 - 18 Heating pipes
 - 19 Mould plates made of PS or PUR
 - 20 Elastischer, fungizider Fugenfüller
 - 22 Surface sealing
 - 23 Ceramic covering
 - 24 Special section
 - 25 Edge insulation strips
 - 26 Pipe enclosure
 - 27 Pipe collar
 - 29 Electric floor heating
 - 30 Thin bed adhesive

- A Wood boards, d = 21 mm
- B Wood joist 120/180, spacing 62,5 cm
- C Sand filling, d = 50 mm
- D Blind floor, chipboards, d = 19 mm
- E Mineral fibre insulation boards, d = 40 mm
- F Spring tracks, d = 27 mm
- G Knauf gypsum plasterboards, d = 12,5 mm
- H Vibration bracket
- I Wood able laths, 24 x 48 mm
- J Cavity insulation, mineral fibre, 100 mm



Drawing: F 12
scale: 1/ 2,5

Floor with sound insulation
board and edge joint

version: 04/2008

Knauf Aquapanel GmbH & Co. KG

Zur Helle 11
58638 Iserlohn
Deutschland

aquapanel.info@knauf.com

