



AQUAPANEL® Traverse

for attaching light brackets

Description

AQUAPANEL® Traverses are used for fitting wall-mounted loads up to 1.5 kN/m (e.g. mounting bolts, shelving, handrails) onto drylining walls made with AQUAPANEL® Cement Board Indoor panelling.

AQUAPANEL® Traverses are a further development of the Knauf metal sheet traverses. They are resistant to alkalis and moisture and are available with (type MH) or without (Type M) timber insert.

Technical information

Modular centres	625 mm
Height	approx. 290 mm
Plate thickness	approx. 0.75 mm with special corrosion-resistant coating
Typ M	without core-impregnated MDF insert
Typ MH	with core-impregnated MDF insert approx. 18 mm thick

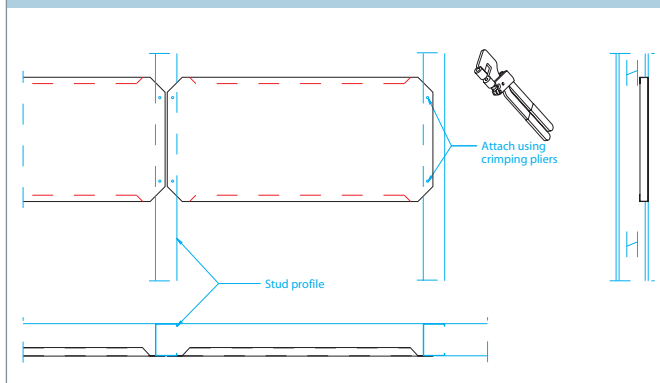
Load capacity

■ the following maximum loads apply with single layer of board	<p>Traverse M: up to 0.7 kN/m</p> <p>Traverse MH: up to 1.5 kN/m</p>
■ with a single layer of AQUAPANEL® Cement Board Indoor with tiles or with two layers	<p>Traverse M and Traverse MH: up to 1.5 kN/m</p>

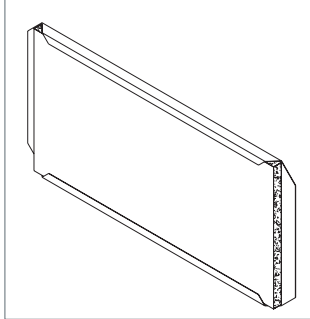
Handling and installation

AQUAPANEL® Traverses are crimped twice on each side to the supporting metal framework using crimping pliers.

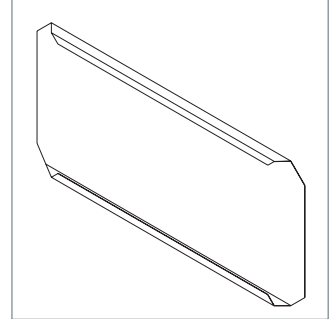
AQUAPANEL® Traverse installation



Traverse (Type MH)



Traverse (Type M)



Method of delivery

- Traverse M: 30 pcs/box
- Traverse MH: 15 pcs/box

Item codes:
87270 (M625)
87272 (MH625)

AQUAPANEL®

▶ www.AQUAPANEL.com

@ aquapanel.info@knauf.com

AQUAPANEL® is a technologically advanced building system. Because it's a system, it involves clear step-by-step process from design idea to project completion. AQUAPANEL® cement board panels, accessories and services work in unison – you can be certain that your project will all come together as planned.

AQUAPANEL® is a registered trademark.

Knauf Aquapanel GmbH & Co. KG, Zur Helle 11, 58638 Iserlohn, Germany