



Knauf Exterior Wall Profile 150

The high-performance profile for the substructure of the exterior stud frame

Description

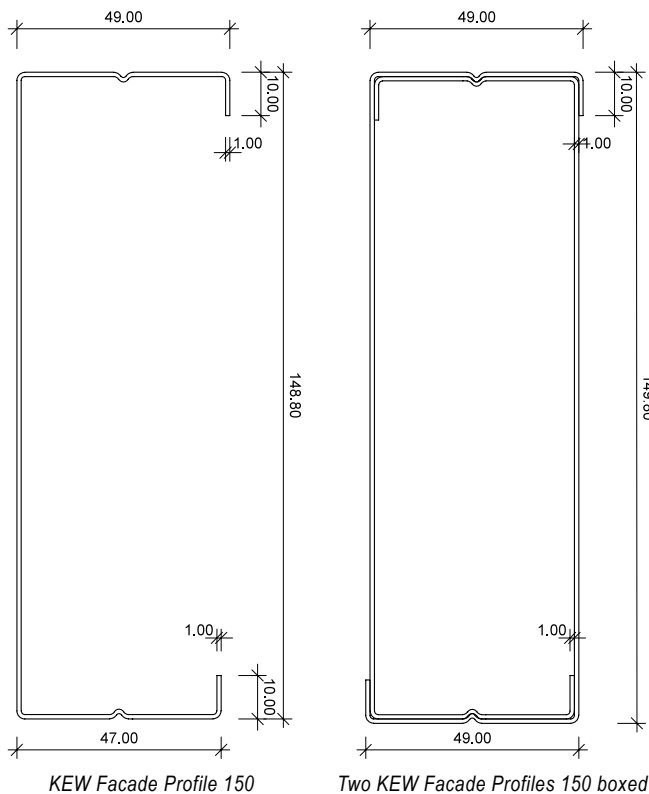
Knauf AQUAPANEL® has developed the high-performance Knauf Exterior Wall (KEW) Facade Profiles 150, which represent the substructure of the exterior stud frame. These profiles, combined with the associated Knauf Exterior Wall SteelAngle 70x135/100, the Knauf Exterior Wall Screw 4.8x20 and an appropriate concrete screw (e.g. Hilti HUS-HR 6), enable a preliminary static design according to EUROCODE 3, which accelerates the planning process for architects and structural engineers, because it takes all elements of Knauf Exterior Wall into account including the anchoring means, which transfer the loads into the primary construction. Additionally these profiles offer the necessary space for 150 mm thick insulation panels.

Knauf Exterior Wall Facade Profile 150

Steel type: S250GD

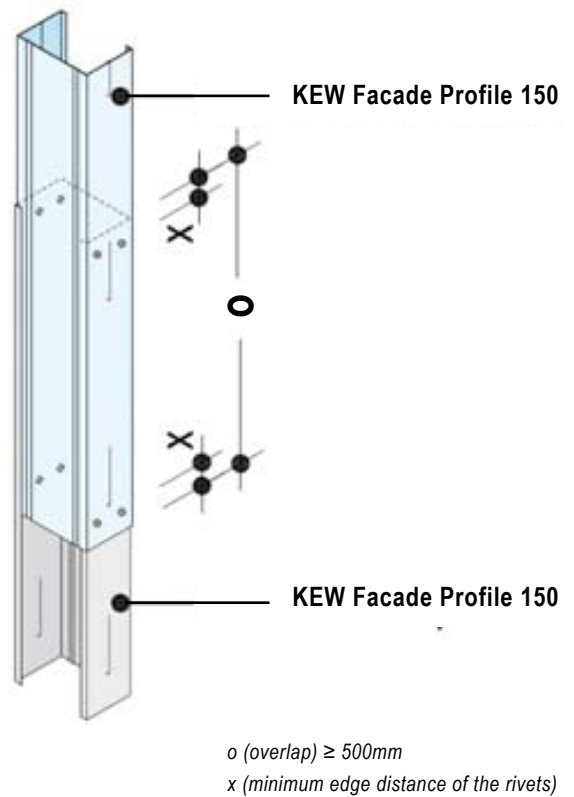
Sheet thickness: 1.0 mm

Corrosion protection: Coil coating C3 acc. to EN ISO 12944, black



Extension of profiles by boxing

The Knauf Exterior Wall Facade Profile 150 can be extended by boxing and riveting of two profiles. Field tests examined heights of up to 5.0 metres. Boxing has to be conducted with a minimum overlap of 500 mm. Boxing is recommended in higher wall areas, as bar cut-outs are not allowed in boxed areas. Connect profiles by rivets in the boxed areas. Use 4 rivets on every flange side, with parallel rivets at the beginning and end of the boxed area. For the minimum edge distance of the rivets (to the flange edge of the profile) please follow the manufacturer's instructions.



Cross-section values of the effective facade profile

Surface:	$A = 2.03 \text{ cm}^2$		
Centre of gravity:	$Y_s = 36.5 \text{ mm}$	$Z_s = 75.6 \text{ mm}$	(in relation to zero point = start)
Moment of inertia:	$I_y = 67.2 \text{ cm}^4$	$I_z = 5.7 \text{ cm}^4$	$I_{yz} = -1.2 \text{ cm}^4$
Main axes:	$I_1 = 67.2 \text{ cm}^4$	$I_2 = 5.7 \text{ cm}^4$	$\alpha = 1.1^\circ$



Product characteristics

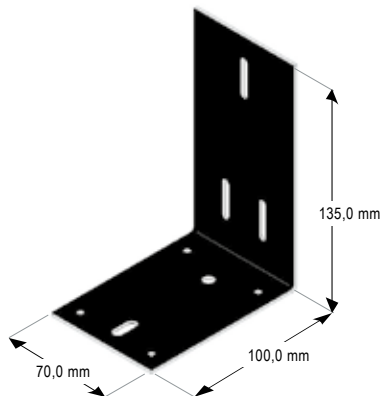
Knauf Exterior Wall Profile 150

- Point of use: exterior stud frame
- Designed to absorb and transmit wind and dead loads
- Boxable
- Enables a preliminary static design according to EUROCODE 3 (in combination with Knauf Exterior Wall Steel Angle and Knauf Exterior Wall Screw)
- Black coated
- Minimum corrosion protection C3 acc. to EN ISO 12944

Web height (mm)	Flange width (mm)	Nominal thickness (mm)	Weight (approx kg/m)	Length (mm)
150	50	1.0	2.0	3600*

*(special lengths on request)

Packaging: 4 pcs. / small bundle **Item code:** 00582034
48 pcs. / large bundle



Knauf Exterior Wall Steel Angle 70x135/100

- Steel type: S250GD
- Sheet thickness: t=1.5 mm
- Black coated
- Enables a preliminary static design according to EUROCODE 3 (in combination with Knauf Exterior Wall Profile and Knauf Exterior Wall Screw)
- Minimum corrosion protection C3 acc. to EN ISO 12944

Width (mm)	Length (mm)	Nominal thickness (mm)
70	135/100	1.5

Packaging: 30 pcs. / package **Item code:** 00582026
160 packages / pallet



Knauf Exterior Wall Screw

- Rustproofed screw
- Hardened nail tip
- Suitable for metal thickness up to 1.2 mm
- Enables a preliminary static design according to EUROCODE 3 (in combination with Knauf Exterior Wall Profile and Knauf Exterior Wall Steel Angle)

Width (mm)	Length (mm)
4.8	20

Packaging: 250 pcs. / package **Item code:** 00582026
864 packages / pallet