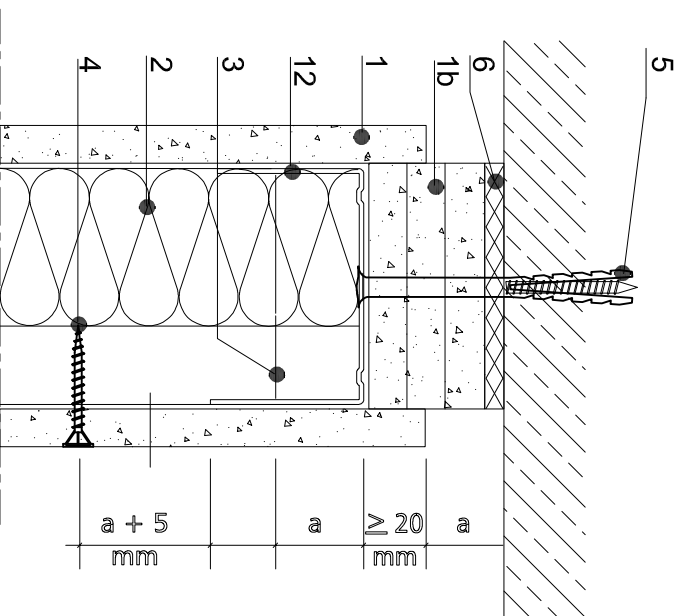


Key



- Description of the material
- 1 AQUAPANEL Cement Board Indoor
 - 1b AQUAPANEL Cement Board Indoor strips in profile widths
 - 2 Insulation material
 - 2a Insulation strips
 - 3 CW-profile
 - 3.a batten-/laths framework
 - 4 AQUAPANEL Maxi Screw
 - 4.a Schnellbauschraube 3,5 x 25 mm
 - 5 Approved fixing method
 - 6 Insulating strips e.g. sealing tape/partition wall kit
 - 6.a Edge insulation strips
 - 6.b Felt strips
 - 7 Glued joint with AQUAPANEL Joint Adhesive (PU)
 - 8. Woodscrews 6 x 100 mm
 - 9. Permanently flexible sealant
 - 9.a Sealing tape
 - 12 UW-profile
 - 12.a L wall interior corner, profile
 - 14a Knaur fire protection plate GKF, 12,5 mm
 - 15 Sealing e.g. surface sealing tape inserted at surface thickness
 - 16 Flexible adhesive
 - 17 Ceramic tiles or stoneware
 - 20 C-ceiling profile EN 13964
 - 21 Nonius hanger with safety clips or direct ceiling hanger
 - 22 Cross connector
 - 23 Angle profile
 - 24 U-Section profile e.g. UD-Profile 28/27
 - 25 Sealing ring
 - 26 Hollow wall installation kit
 - 27 Dividing strips
 - 28 Filling
 - 29 Expansion joint profile
 - 30 Mounting plate
- Abbreviations
- w Wall thickness (mm)
 - d Thickness of the AQUAPANEL Cement Board Indoor panel
 - D/A Thickness of insulation layer (mm)
 - h Profile bridge height (mm)
 - HS Half width of panel (mm)
- a Distance (mm) of direct hanger
 - b Distance (mm) of the batten framework
 - c Distance (mm) of the lath framework

Drawing: 1 1 - 1.6
scale: 1/ 2.5

Sliding ceiling connection

Single layer partition wall, metal single stud frame

version: 09/2007

Knauf Aquapanel GmbH & Co. KG
Zur Helle 11
58638 Iserlohn
Deutschland
aquapanel.info@knauf.com

