

Key

Description of the material
1 AQUAPANEL Cement Board Indoor
1.b AQUAPANEL Cement Board Indoor strips in profile width
2 Insulation material
2.a Insulation strips
3 CW-profile
3.a battens/laths framework
4 AQUAPANEL Mast Screw
4.a Schnellbauschraube 3.5 x 25 mm
5 Approved fixing method
6 Insulating strips e.g. sealing tape/partition wall kit
6.a Edge insulation strips
6.b Fat strips
7 Glued joint with AQUAPANEL Light Adhesive (PU)
8 Woodscrews 6 x 100 mm
9 Permanently flexible sealant
9.a Sealing tape
12 UV-profile
12.a L wall interior corner, profile
14a Knauf fire protection plate GK/F, 12.5 mm
15 Sealing e.g. surface sealing tape inserted at surface thickness
16 Flexible adhesive
17 Ceramic tiles or stoneware
20 C-ceiling profile EN 13964
21 Nonplus hanger with safety clips or direct ceiling hanger
22 Cross connector
23 Angle profile
24 U-Section profile e.g. UD-Profile 28/27
25 Sealing ring
26 Hollow wall installation kit
27 Dividing strips
28 Filling
29 Expansion joint profile
30 Mounting plate

Abbreviations

w	Wall thickness (mm)
d	Thickness of the AQUAPANEL Cement Board Indoor panel
D/A	Thickness of insulation layer (mm)
h	Profile bridge height (mm)
HS	Half width of panel (mm)

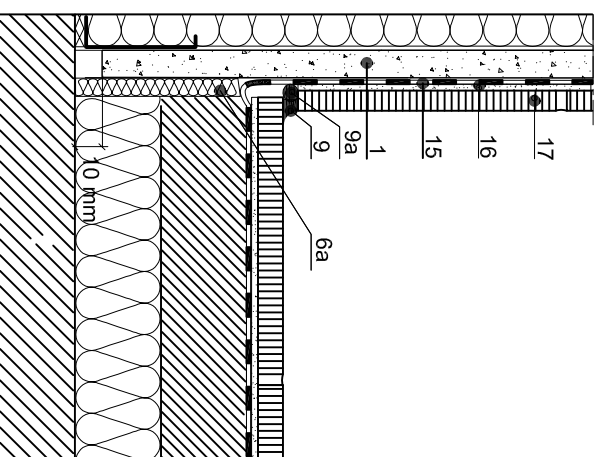
a	Distance (mm) of direct hanger
b	Distance (mm) of the battens framework
c	Distance (mm) of the lath framework

Drawing: 1 10
scale: 1/2.5

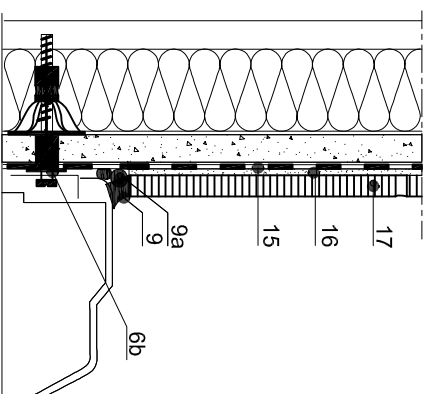
Details for wet areas

Version: 09/2007

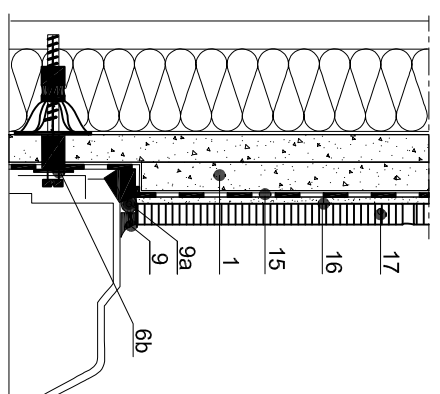
Knauf Aquapanel GmbH & Co KG
Zur Helle 11
58638 Iserlohn
Deutschland
aquapanel.info@knauf.com



Wall-floor-connection



**Bath connection,
single layer of panelling**



**Bath connection,
double layer of panelling**