

Key

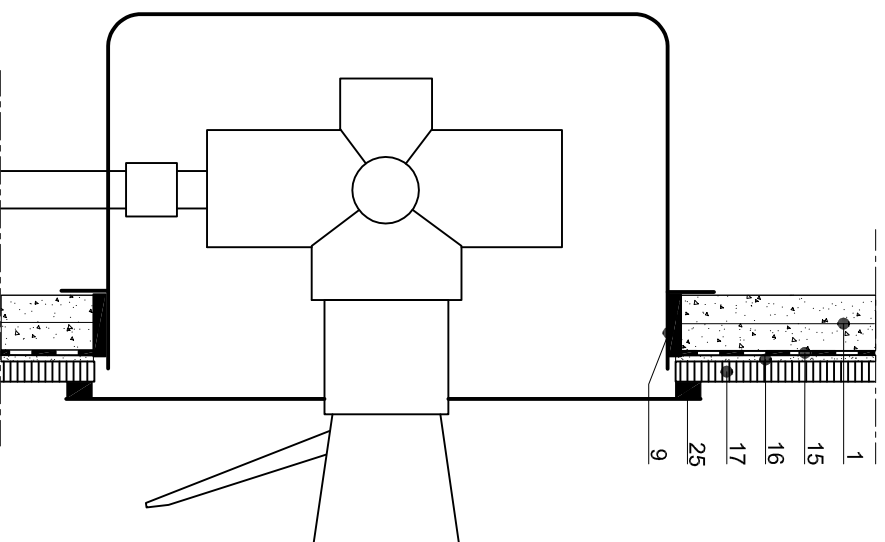
Description of the material	
1	AQUAPANEL Cement Board Indoor
1.b	AQUAPANEL Cement Board Indoor strips in profile width
2	Insulation material
2.a	Insulation strips
3	CW-profile
3.a	batens/laths framework
4	AQUAPANEL Mast Screw
4.a	Schnelldrahtschraube 3,5 x 25 mm
5	Approved fixing method
6	Insulating strips e.g. sealing tape/partition wall kit
6.a	Edge insulation strips
6.b	Felt strips
7	Glued joint with AQUAPANEL Light Adhesive (PU)
8	Wood screws 6 x 100 mm
9	Permanently flexible sealant
9.a	Sealing tape
12	UV-profile
12.a	L wall interior corner, profile
14.a	Knauf fire protection plate GK/F, 12,5 mm
15	Sealing e.g. surface sealing tape inserted at surface thickness
16	Flexible adhesive
17	Ceramic tiles or stoneware
20	C-celling profile EN 13964
21	Norplus hanger with safety clips or direct ceiling hanger
22	Cross connector
23	Angle profile
24	U-Section profile e.g. UD-Profile 28/27
25	Sealing ring
26	Hollow wall installation kit
27	Dividing strips
28	Filling
29	Expansion joint profile
30	Mourning plate
Abbreviations	
w	Wall thickness (mm)
d	Thickness of the AQUAPANEL Cement Board indoor panel
D/A	Thickness of insulation layer (mm)
h	Profile bridge height (mm)
HS	Half width of panel (mm)
a	Distance (mm) of direct hanger
b	Distance (mm) of the batens/framework
c	Distance (mm) of the lath framework

Drawing: 1 10 - 10.1
scale: 1/2.5 scale: 1/1

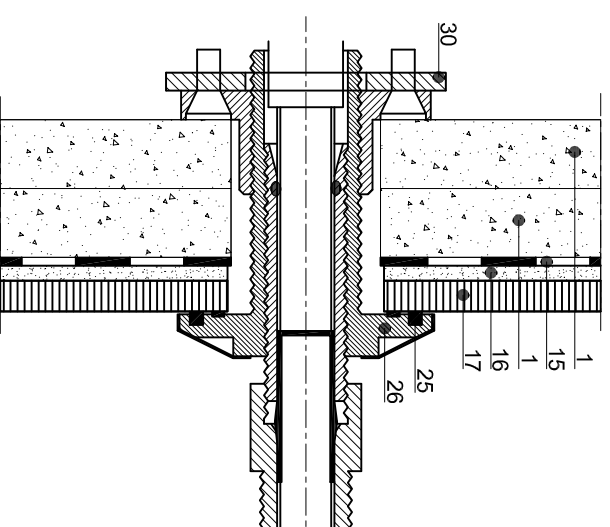
Details for wet areas

Version: 09/2007

Knauf Aquapanel GmbH & Co KG
Zur Helle 11
58638 Iserlohn
Deutschland
aquapanel.info@knauf.com



Flush-mounted fitting under plaster



Cut-out for pipe